

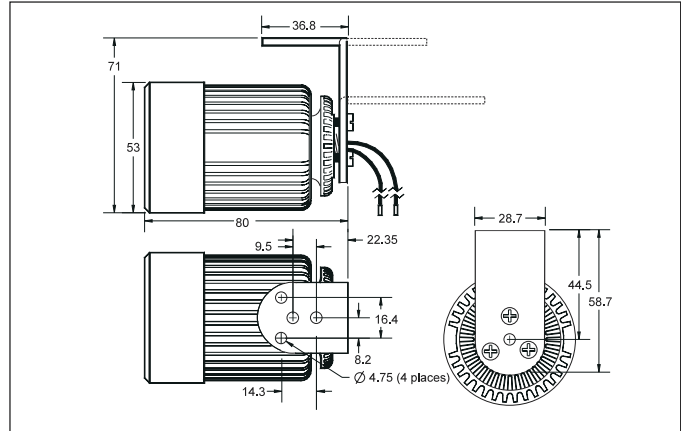
Halogen Illuminators

MR1100 AND MR1600 Halogen Illuminators are cast aluminum lighting fixtures designed for O.E.M. applications. Standard finish color is powder coat black. Other colors can be considered for OEM quantity orders. MR1100 Halogen Illuminator will accept MR11 lamps with GZ4 base configuration. MR1600 Halogen Illuminator accepts MR16 lamps with GX5.3 base configuration.



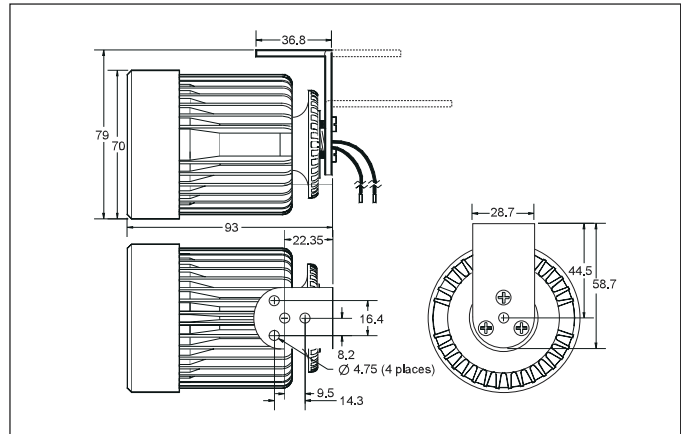
FEATURES:

- Rugged aluminum construction.
- Multi-position mounting bracket.
- Cover glass.
- 370mm, 18AWG black Teflon insulated lead wires.
- 8° adjustment capabilities.
- Threaded bezel for easy lamp replacement.



MR1100 Halogen Illuminator

Use MR11 halogen lamps up to 24 Volts and 35 Watts.
MR11 halogen lamps are not included.
Select MR11 halogen lamps from page 23.



MR1600 Halogen Illuminator

Use MR16 halogen lamps up to 24 Volts and 75 Watts.
MR16 halogen lamps are not included.
Select MR16 halogen lamps from page 23.